



### WARNINGS

In cases of doubt please contact your local BILSTEIN-dealer or our sales department **before fitment**.

BILSTEIN shock absorbers are always being replaced as a set.

Fitting shock absorbers, struts and cartridges requires special tools and expert knowledge. Therefore fitment has to be carried out by a suspension specialist.

Use a chassis hoist for the fitting, so that the raised vehicle cannot slip. If a chassis hoist is not available, you must ensure that the vehicle is blocked against any movement when it is raised.

Under no circumstances should any work be completed underneath the vehicle if it is not adequately secured. Serious head injuries and contused arm and leg wounds may occur.

The BILSTEIN must only be used for the assigned application indicated in the application guide, otherwise the proper functioning is no longer guaranteed. The same goes for clamping a BILSTEIN in a vice or any similar tool.

Under no circumstances must this BILSTEIN shock absorber be changed or tampered with in any way. In that case the guarantee claim or the type homologation becomes invalid.

The oil in BILSTEIN gas pressure shock absorbers is pretensioned with gas: Consequently, the shock absorber must not be opened or heated. Severe injuries of hands and face may occur.

Do not use an impact tool to loosen or tighten fasteners due to possible damage to the product.

Self-locking nuts must only be **used once!** Wheel bolts and nuts must be torqued again after a distance of 50 km (torques see manufacturers manual)

#### **Suspension springs are pretensioned!**

For safety reasons the suspension spring must be pretensioned with the help of an appropriate strut vice (s. application guide). The top mount is only to be removed when the spring can be moved by hand. Severe injuries of the head or upper body may occur if these warnings are disregarded.

All rubber-suspended struts/ dampers must be tightened after the vehicle is let down to the ground. Other mountings like brackets must be tightened before the vehicle is let down to the ground. Ensure that the bump stop and dust cover are correctly and properly fastened (s. application guide).

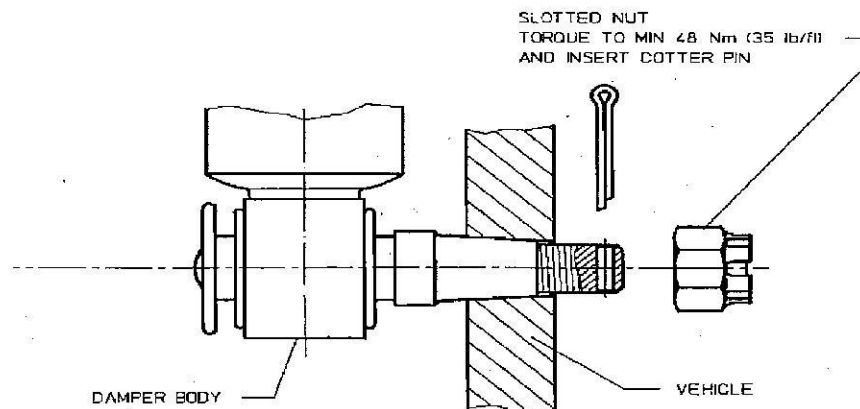
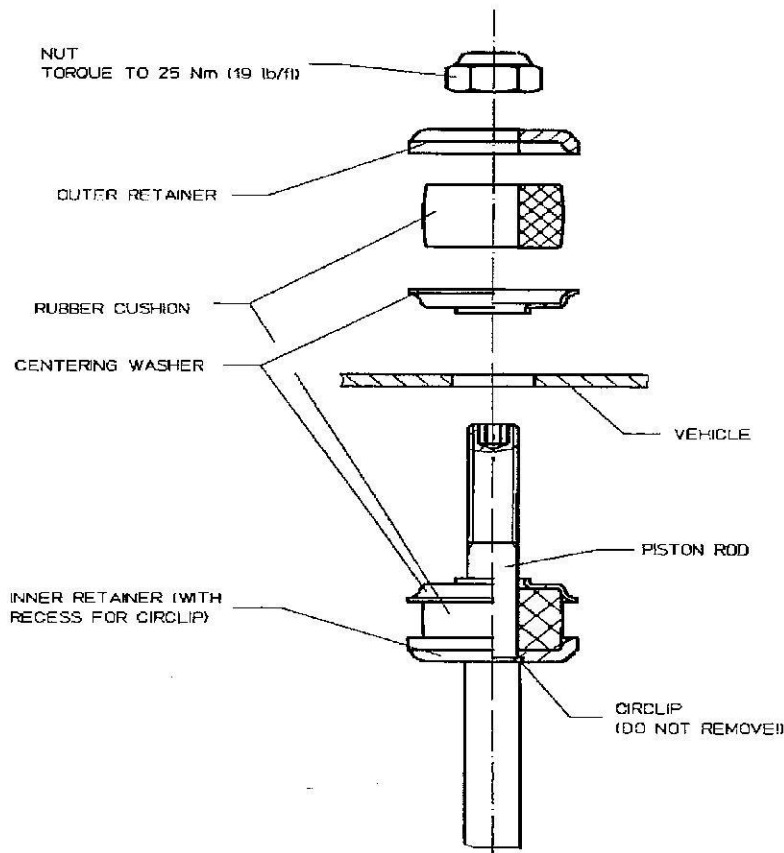
Reuse original equipment parts only if they are in good condition, otherwise replace them by new ones. Never remove slight film of oil on the piston rod and seal (s. application guide).

After fitting the shock absorbers, you must check and/ or adjust caster and chamber acc. to manufacturer's handbook. Check and reset brake compensator (load dependent) and anti block system in acc. with manufacturer's instructions. Also the headlight adjustment has to be checked and adjust.

Observe the rules specified in the application guide when disposing of old parts. If you have any questions about, please contact our sales department.

# E4-WM5-Y250A00 INSTALLATION INSTRUCTIONS

for F4-BE3-2645



ThyssenKrupp Bilstein Suspension GmbH  
August-Bilstein-Str. 4, 58256 Ennepetal  
Postfach 11 51, 58240 Ennepetal  
Telefon: (0 23 33) 4791-0;  
Telefax: (0 23 33) 7 91- 4900  
Hotline: 01805- 600- 860;  
Internet: [www.bilstein.de](http://www.bilstein.de)