

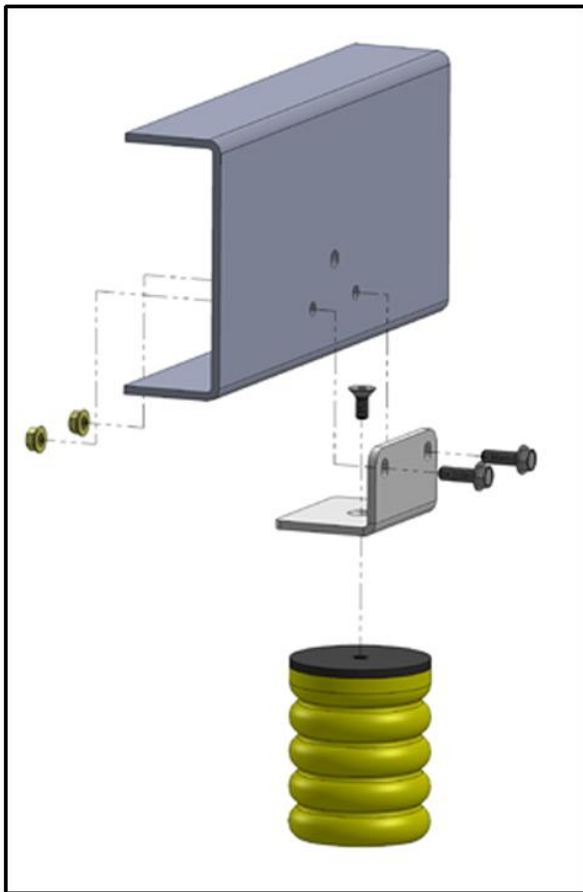
SumoSprings Rear

Suspension Enhancement

FORD F-53 Chassis 20K ~ 26K GVWR [2005 ~ present]

SumoSprings Part# SSR-186-54

Rear SumoSpring Installation



SSR-186-54 Installed



Comparison of SSR-186-54 to OE bumpstop options



Refer to SumoSprings application guide for part selection www.supersprings.com [Tech line #866-898-0720]
SumoSprings enhance load carrying capability, handling & towing. Never exceed vehicle manufacturer's GVWR rating.

Installation Instructions

- 1) Park vehicle on level hard surface. Engage emergency brake. Place blocks in front and behind front wheels to prevent rolling. Observe all safety precautions and wear safety glasses.
- 2) Raise rear of vehicle allowing the axle to hang freely. Support the frame using safety jack stands.
- 3) Remove the two bolts that fasten the original bump stop to the frame.
- 4) Using the factory hardware and existing holes, install the SSR-186-54 in the same position as the original bump stop.
- 5) Repeat steps three and four on the other side of the vehicle.
- 6) Jack up vehicle, remove safety jack stands.
- 7) Carefully lower vehicle to the hard surface.
- 8) Remove wheel blocks from the front wheels.
- 9) Fill out warranty card and send to SuperSprings. The warranty card is an attached document.

Important Notice.

- 1) For easy installation please read instructions completely first and have all necessary tools available.
- 2) We recommend that this installation be done by a professional or persons with sound mechanical knowledge.
- 3) SumoSprings are designed to work with the original factory springs only. If they have been replaced with aftermarket springs then please consult with SuperSprings International at 866-898-0720.
- 4) These instructions are meant as a guide for the installation of SumoSprings. SuperSprings International assumes no liability for the actual installation process. Installers should apply common automotive safety practices when raising, lowering and working on vehicles.
- 5) SumoSprings are designed to enhance the vehicles load carrying performance and road handling however it does not authorize (or recommend) loading beyond the manufacturer's GVWR specifications.
- 6) For technical support contact SuperSprings International at 866-898-0720.

To prevent damage to the vehicle and to ensure safety, do not exceed the maximum load recommended by the vehicles manufacturer (GVWR).