



# Installation Instructions

*Thank you for purchasing this anti-sway bar kit. Please read through these instructions before installation.*

## Rear Anti-Sway Bar Kit for the Freightliner XC Chassis 1999-on

part #1209-115  
1-1/2" diameter



## INTRODUCTION

Thank you for purchasing this rear anti-sway bar kit. This kit is designed to improve the handling characteristics of your Freightliner by reducing the body roll and balancing the weight transfer during cornering. The anti-sway bar kit is engineered for long life and trouble-free performance. The anti-sway bar mounts in front of the rear axle. The arms of the bar point to the rear of the chassis.

All the hardware needed for installation is included in this kit. Refer to the PARTS LIST in these instructions to identify the parts.

## SUGGESTED TOOLS

The following tools are suggested to complete the installation procedures:

- General hand tools
- Drill bits
- Center punch
- 1/2" drill
- Torque wrench

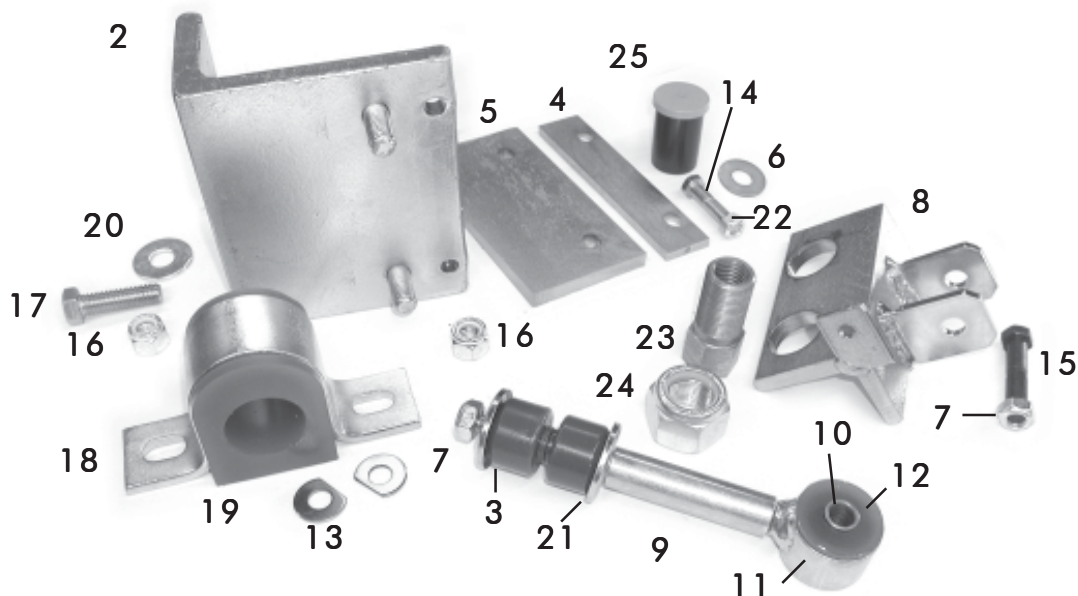
## WARNING

- If raising the vehicle to install the anti-sway bar, always support the vehicle with jack stands at both frame rails or at the rear axle before working underneath. Ensure that the jack stands are securely positioned, and are rated at or above the weight of the vehicle.
- The installer must read the instructions and use all bolts and parts supplied. Use only the parts supplied by ROADMASTER to install this kit.
- Minor modifications are sometimes necessary due to slight vehicle variations, even for the same year, make and model.
- If running changes were made by the manufacturer after this kit was designed, there may be weldments, braces, gussets, or other structural items which interfere with the installation. It is the installer's responsibility to allow for these running changes without sacrificing the structural integrity of the anti-sway bar. Failure to securely fasten the anti-sway bar could result in property damage, personal injury or even death.
- ROADMASTER will not be responsible for any damage or injury resulting from any modification or alteration.
- Check ALL the fasteners for tightness before and after road testing the vehicle.
- Do not use this document for custom fabrication, as it may not show all parts or structural components.
- Do not use an air impact wrench when re-installing bolts, as stripped threads may result.
- This anti-sway bar is only warranted for the original installation. Installing a used anti-sway bar on another vehicle is not recommended and will void the warranty.

## WARNING

**Failure to follow these instructions can result in property damage, personal injury or even death.**

# PARTS LIST



Part #1209-115

Part #	Description	Qty	Part #	Description	Qty
1.	580044-00 Anti-sway bar, 1-1/2"	1	14.	350058-80 Bolt, 3/8" x 1-3/4" NC	4
2.	B250M Bracket, sway bar mount	2	15.	350079-80 Bolt, 7/16" x 2-1/4" NC	2
3.	205381-00 Grommet, poly	4	16.	350259-00 Nut, Nylok 1/2" NC	8
4.	B252 Bracket, spacer plate	4	17.	350096-80 Bolt, 1/2" x 1-3/4" NC	4
5.	B251 Bracket, clamp plate	2	18.	B141 Bracket, U-clamp	2
6.	350304-80 Washer, cut 3/8"	8	19.	205217-10 Bushing, split poly	2
7.	350256-02 Locknut, 7/16" NC	4	20.	350308-00 Washer, cut 1/2"	12
8.	B409 Bracket, rear endlink	2	21.	357434-00 Washer, cup	4
9.	205506-00 Spacer, 2" long	2	22.	350272-00 Locknut, 3/8" NC	4
10.	205510-00 Spacer, 1-1/4" long	2	23.	350252-60 Sleeve nut	4
11.	B408 Endlink, 5" long	2	24.	357463-00 Nut, 1-1/8" NF	4
12.	205223-00 Poly bushing, hat	4	25.	350314-20 Washer, 3/4"	1
13.	350304-30 Washer, "D" cut	4	26.	400011-30 AQUALUBE Grease	1

**\*Sway bar not shown**

## Free Extended Warranty

You must accurately and completely fill out and mail the product registration card within thirty (30) days from the date of purchase to qualify for your warranty. **If we receive your card, completely and accurately filled out, within twenty (20) days from the date of purchase, we will extend the coverage to a total of two (2) years at no extra charge.**

Your product registration is an important record for ROADMASTER to keep in touch with you. It also enables us to expedite any future claim, update or recall that may arise concerning our products.

# INSTALLATION

The following instructions must be followed in the order listed to ensure a proper installation and to preserve the ROADMASTER warranty.

## 1. Apply the parking brake.

The following procedures can be done with the wheels of the vehicle on level ground.

## 2. Mark the location for the holes.

Hold the mount on the frame. The front of the bracket must touch the back of the trailing arm bracket. The bracket must be against the bottom of the frame rail. From the outboard side of the frame, use a center punch to mark the frame at the center of both holes of the mount bracket. Repeat this step for the other side of the vehicle (Figure 1, 2).

Note: check inside the frame rail for possible interference before drilling.

## 3. Drill the holes in the frame.

Use a 1/2" drill to drill the holes in the vehicle frame. Drill the holes for the other mounting bracket on the other side of the vehicle.

## 4. Install the mounting hardware.

Insert the bolts through the bracket and frame. Install the washers and lock nuts. Tighten the lock nuts to 75 ft.-lbs. (Figure 3).

## 5. Install the spacer plates and clamp plate.

Align the holes of the spacers and clamp plate with the holes in the mount bracket. Install the bolts from below using the D-cut washers on the bottom, through the clamp plate and spacer. Install the upper washers and lock nuts. Tighten the nuts to 35 ft.-lbs. (Figure 3).

## 6. Substitute sleeve nuts (350252-60) on front u-bolts.

Remove and replace the four FRONT u-bolt nuts ONE AT A TIME with the sleeve nut. On the passenger side, disconnect the leveling valve link from its lower bracket, leaving the stud attached. Remove the bracket and install the 350314-20 washer in its place. Install the sleeve nut with the hex toward the bottom. Thread lock and torque to factory specifications.

Install the end link brackets on these nuts and secure, using large nuts (357463-00). Torque to 125 ft.-lbs. **Shorten the leveling valve link approximately 1-1/4", (on both sides if necessary) and reconnect to the tab on the endlink bracket (B409), making sure the stud points toward the center of the chassis (Figure 4).**

## 7. Install the endlink assembly to the angle bracket.

Install the cup washers, grommets, link sleeves, and links to the axle brackets as shown. Tighten to 25-30 ft. lbs. (Figure 4).

Figure 1



Figure 2



Figure 3

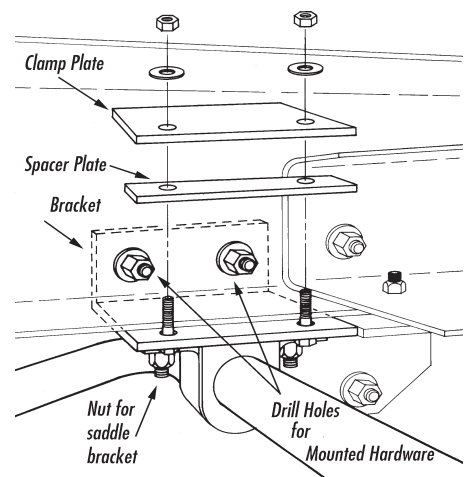
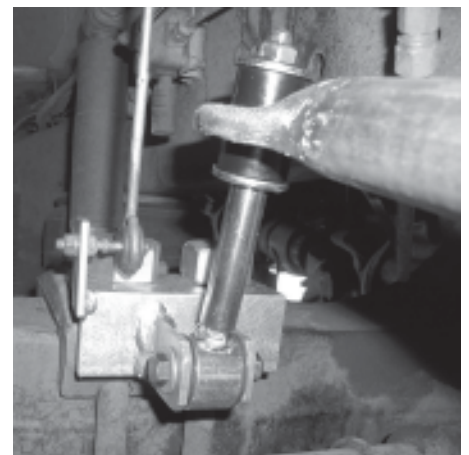


Figure 4



# INSTALLATION

8. Weave the anti-sway bar into roughly the final position under frame brackets.

The dip in the center of the bar goes down to clear other chassis components (Figure 5, 6).

9. Install the saddle brackets and split bushings.

Lubricate the inside of the split bushings and install them on the anti-sway bar near the arms. Slide the saddle brackets over the split bushings (Figure 7).

10. Install the anti-sway bar assembly to the frame mounting brackets.

Lift the anti-sway bar and align the holes of the saddle brackets with the studs of the mounting bracket on the vehicle frame. Install the washers and nuts on the studs. Tighten the nuts to 45 ft.-lbs. (Figure 8).

11. Connect the endlink to the anti-sway bar.

Rotate the anti-sway bar arms up and connect the endlink to the anti-sway bar. Install the sleeves, cup washers and grommets as shown (Figure 9). Tighten the nuts just enough to eliminate any play. Do NOT deform the grommets (Figure 10).

Figure 5

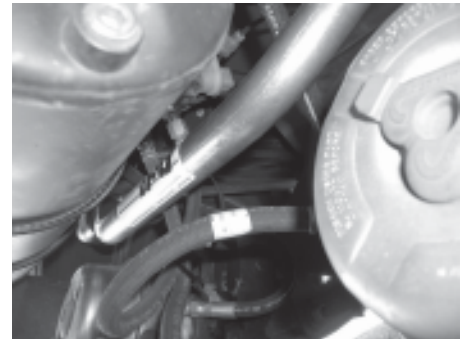


Figure 6

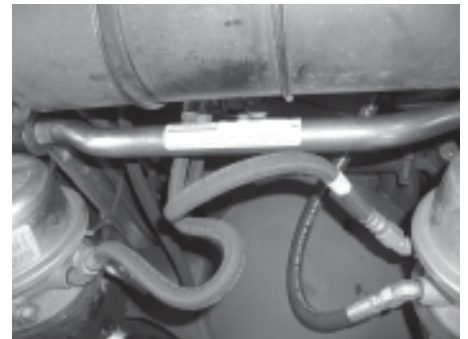


Figure 7

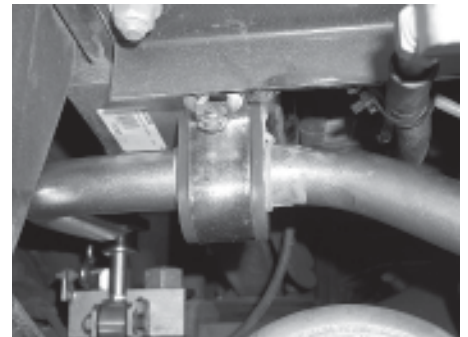


Figure 8

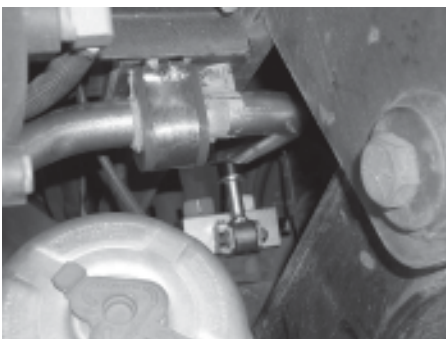


Figure 9

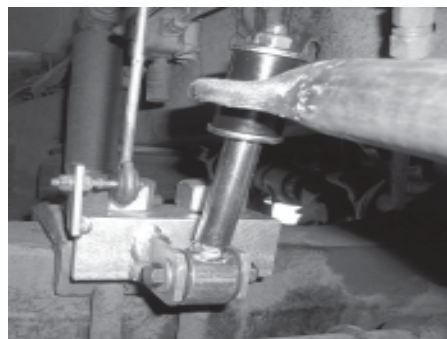
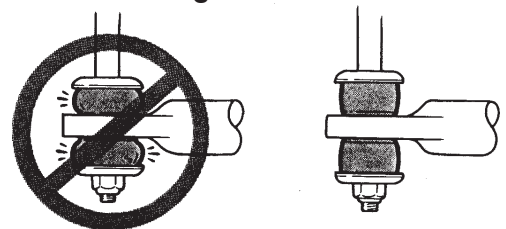


Figure 10



## ⚠ WARNING

Over-tightening the grommets may cause premature failure of the grommets and/or the end links. If the grommets fail, the anti-sway bar will not stabilize the vehicle at full capacity, which may cause reduced cornering ability or other reductions in vehicle handling or performance.

Failure to follow these instructions may result in property damage, personal injury or even death.

## 12. Test drive and re-inspect the installation.

### **WARNING**

After road testing, re-check all fasteners for proper tightness — if a fastener has worked loose or fallen off, re-tighten or replace it. Without all kit components properly tightened or in place, the anti-sway bar will not stabilize the vehicle at full capacity, which may cause reduced cornering ability or other reductions in vehicle handling or performance.

Failure to follow these instructions may result in property damage, personal injury or even death.

### **WARNING**

#### **The anti-sway bar is not a load-bearing component**

Do not tow or hoist the vehicle using the anti-sway bar or its mounting brackets as attachment points. The anti-sway bar is not designed to carry the weight of the vehicle and may collapse, which will damage the anti-sway bar components, the suspension, or other components. The vehicle will detach or fall, which may cause severe personal injury.

Failure to follow these instructions may result in property damage, personal injury or even death.

# LIMITED WARRANTY

## 1. WARRANTY

### 1a. WARRANTY OF CONFORMITY AT TIME OF SALE

ROADMASTER, Inc. warrants that at the time of sale of this product it will be free from defects in material and manufacture and will conform to ROADMASTER'S specifications for the product.

### 1b. CONDITIONAL ONE-YEAR WARRANTY

In addition to the preceding time-of-sale warranty, if the product registration card is completely and accurately filled out and mailed to ROADMASTER within thirty (30) days of purchase, ROADMASTER will provide an additional warranty that for a period of one year after sale the product will remain in good working order, PROVIDED THAT the product is installed and maintained in accordance with ROADMASTER'S instructions and is not subjected to: (a) alteration or unauthorized repairs or repairs by anyone other than ROADMASTER or a ROADMASTER-authorized service center, (b) misuse, abuse, commercial use, or improper maintenance, (c) Acts of God (including without limitation hurricanes, tornadoes, floods, or other severe weather or natural phenomena), (d) failures due to products not supplied by ROADMASTER, or (e) other treatments, uses, or installations for which the product was not intended. This warranty extends only to the first retail purchaser-consumer of the product and is not transferable.

**EXTENDED WARRANTY PERIOD:** If ROADMASTER receives the product registration card, completely and accurately filled out, within twenty (20) days of purchase, ROADMASTER will enlarge the one-year warranty period in the preceding paragraph to a period of two years.

## 2. DISCLAIMER OF OTHER WARRANTIES

The preceding warranties are the exclusive and sole express warranties given by ROADMASTER. They supersede any prior, contrary or additional representations, whether oral or written. No agent, representative, dealer or employee has the authority to alter or increase the obligations or limitations of this warranty. Any implied warranties, including the WARRANTY OF MERCHANTABILITY and any WARRANTY OF FITNESS FOR A PARTICULAR PURPOSE, are limited in duration to thirty days or the term of the applicable express warranty provided above, whichever is longer.

Some states do not allow limitations on how long an implied warranty lasts, so the above limitation may not apply to you.

## 3. EXCLUSIVE REMEDY FOR ANY NONCONFORMITIES

If during the applicable Warranty Period, the product does not conform to the preceding Warranties, notify ROADMASTER as provided below, and within a reasonable time ROADMASTER will provide, at its option, one of the following: (1) replacement components for any nonconforming or defective product or components or (2) the percentage of the purchase price for the nonconforming product equal to the percentage of the Warranty Period remaining when ROADMASTER is notified of the nonconformity. ROADMASTER will, at its option, (a) use new and/or reconditioned parts in performing warranty repairs and making replacement products, (b) use parts or products of original or improved design in the repair or replacement. If ROADMASTER repairs or replaces a product, its warranty continues for the remaining portion of the original Warranty Period or 60 days from the date of the return shipment to the customer, whichever is greater. All replaced products and all parts removed from repaired products become the property of ROADMASTER. ROADMASTER will not provide, and will not be liable for, labor, costs of removal or reinstallation of components, disposal, shipping, freight, taxes, or other incidental charges.

### **THESE REMEDIES ARE THE EXCLUSIVE AND SOLE REMEDIES FOR ANY BREACH OF WARRANTY.**

For any breach of warranty, the Owner must telephone ROADMASTER at 1-800-669-9690 within thirty (30) days after discovering the nonconformity. Do not return any product without first calling ROADMASTER and getting a return authorization number. Returned products must include the return authorization number and a copy of the original invoice, bill or other proof of the date of purchase. The date of purchase must coincide with the original warranty registration card on file. ROADMASTER will authorize (a) shipment of the product to ROADMASTER or (b) repair or replacement at the nearest warranty service center—in both cases with shipping at your expense. Do not purchase replacement parts or pay for repair labor—you will not be reimbursed. Compliance with the requirements of this paragraph is a condition to coverage under the Warranty: if these requirements are not complied with, ROADMASTER will have no obligation to provide any remedy for any breach of warranty.

## 4. DISCLAIMER OF INCIDENTAL AND CONSEQUENTIAL DAMAGES

IN NO EVENT SHALL ROADMASTER BE LIABLE FOR ANY INCIDENTAL, SPECIAL, INDIRECT OR CONSEQUENTIAL DAMAGES, WHETHER RESULTING FROM NONDELIVERY OR FROM THE USE, MISUSE OR INABILITY TO USE THE PRODUCT OR FROM DEFECTS IN THE PRODUCT.

Some states do not allow the exclusion or limitation of incidental or consequential damages, so the above limitation may not apply to you.

## 5. APPLICABLE LAW

This Warranty will be interpreted, construed, and enforced in all respects in accordance with the laws of the State of Washington, without reference to its choice of law rules. The U.N. Convention on Contracts for the International Sale of Goods will not apply to this Warranty.

## 6. SEVERABILITY

If any provision of this warranty is found to be invalid or unenforceable, then the remainder shall have full force and effect, and the invalid provision shall be partially enforced to the maximum extent permitted by law to effectuate the purpose of the agreement.

## 7. ADDRESS FOR NOTICES TO ROADMASTER

ROADMASTER, Inc., 6110 NE 127th Ave., Vancouver, WA 98682

This warranty gives you specific legal rights, and you may also have other rights which vary from State to State.